



SERVING HEALTH CARE WORLD WIDE



@surgicalinstrumentssupplies



@uniqueempiresurgical



@unique-empire-b339b51aa



+92 302 6633155



**DENTAL**  
**INSTRUMENTS**

[HTTPS://WWW.UNIQUEEMPIRE.COM/](https://www.uniqueempire.com/)



## Scalpel Handles



**1483**  
Scalpel Handle Angle Of Blade Adjusts To Easily Get Around Corners  
Adjustment Sets Blade From Straight To Back Angled  
Locks In At 90°, 60°, 30°, Straight, -30°, -60° Angles



**1484**  
Scalpel Handle  
Fig. 5



**1485**  
Scalpel Handle  
Curved



**1486**  
Fig. 3L



**1487**  
Fig. 7



**1488**  
Scalpel Handle  
Fig. 4L, Curved  
20 cm



**1489**  
Fig. 3



**1490**  
Fig. 3G



**1491**  
Fig. 4



**1492**



**1493**  
Scalpel Handle  
4 D 14.0 cm



**1494**  
Mess Holders



**1495**  
Gouge  
Blade Handle  
Fig. 2 / 11.5 cm

## Handles

Handle For Mouth Mirrors, Probes, Explorers, Excavators, Carvers, Curettes & Scaler



**1496**

Handle No. 2 Standard Single Ended



**1497**

Handle Single Ended



**1498**

Handle Single Ended



**1499**

Handle Single Ended



**1500**

Octagonal Double Ended



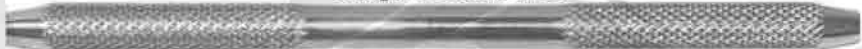
**1501**

Octagonal Double Ended



**1502**

Octagonal Double Ended



**1503**

Handle No. 2 (Standard Double Ended)



**1504**

Octagonal Double Ended



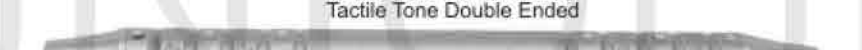
**1505**

Tactile Tone Double Ended



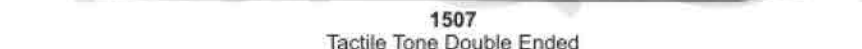
**1506**

Tactile Tone Double Ended



**1507**

Tactile Tone Double Ended



**1508**

Handle, Double Ended



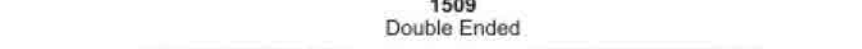
**1509**

Double Ended



**1510**

Tactile Tone Double Ended



**1511**

Tactile Tone Double Ended





# Handles & Mouth Mirrors

## Mouth Mirrors, Magnifying 1513-A Plain 1512-B

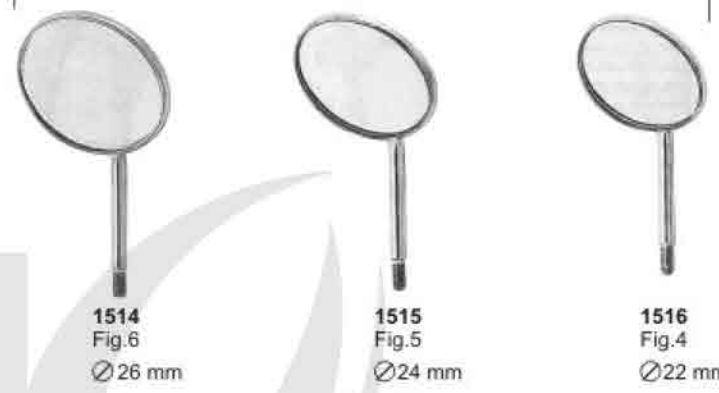
Fig. 00	Ø	8 mm
Fig. 0	Ø	10 mm
Fig. 1	Ø	14 mm
Fig. 2	Ø	16 mm
Fig. 3	Ø	18 mm
Fig. 4	Ø	20 mm
Fig. 5	Ø	22 mm
Fig. 6	Ø	24 mm
Fig. 7	Ø	26 mm
Fig. 8	Ø	28 mm
Fig. 9	Ø	30 mm
Fig. 10	Ø	32 mm



1513-A

### Mouth Mirrors

#### Plane



1514  
Fig.6  
Ø26 mm

1515  
Fig.5  
Ø24 mm

1516  
Fig.4  
Ø22 mm

#### Magnifying

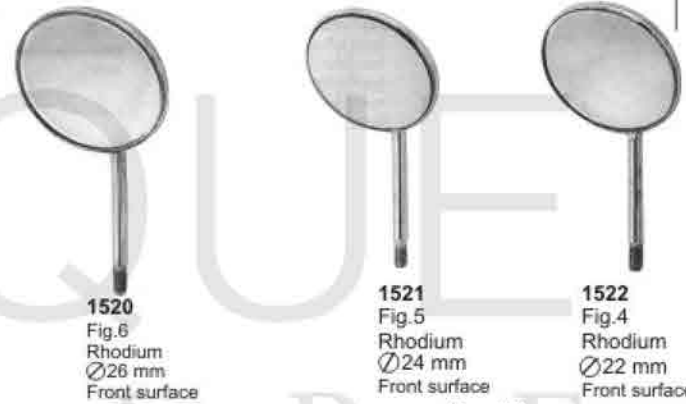


1517  
Fig.6  
Ø26 mm

1518  
Fig.5  
Ø24 mm

1519  
Fig.4  
Ø22 mm

#### Front surface



1520  
Fig.6  
Rhodium  
Ø26 mm  
Front surface

1521  
Fig.5  
Rhodium  
Ø24 mm  
Front surface

1522  
Fig.4  
Rhodium  
Ø22 mm  
Front surface

#### Plane



1523  
Fig.6  
Ø 26 mm

1524  
Fig.5  
Ø24 mm

1525  
Fig.4  
Ø22 mm

#### Magnifying



1526  
Fig.6  
Ø 26 mm

1527  
Fig.5  
Ø 24 mm

1528  
Fig.4  
Ø 22 mm

With cone - socket



1512  
Hollow Handle  
Fig.1



1513  
Hollow Handle  
Fig.2



## Mirror Handle, Mouth Mirrors



1529



1530



1531



1532



1533



1534



1535  
Parallelometer  
mouth mirror

1536  
Parallelometer  
mouth mirror  
+ handle  
code 2101



1537  
Tactile Tone  
Single Ended



1538  
Handle  
Thompson  
Single Ended



1539  
Hollow Handle



1540  
Hollow Handle  
Stainless  
Steel



1541  
Cone-socket  
Hollow Handle



1542  
Hollow Handle

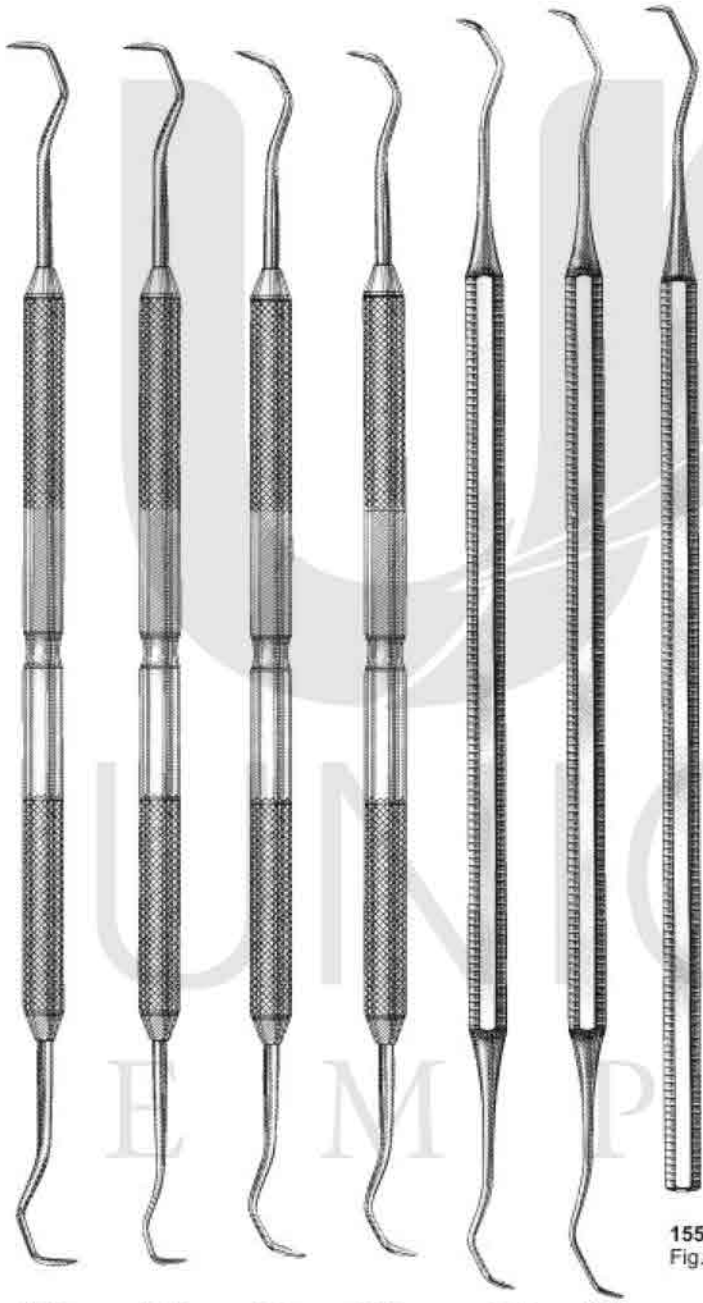


1543  
Hollow Handle



# Scalers

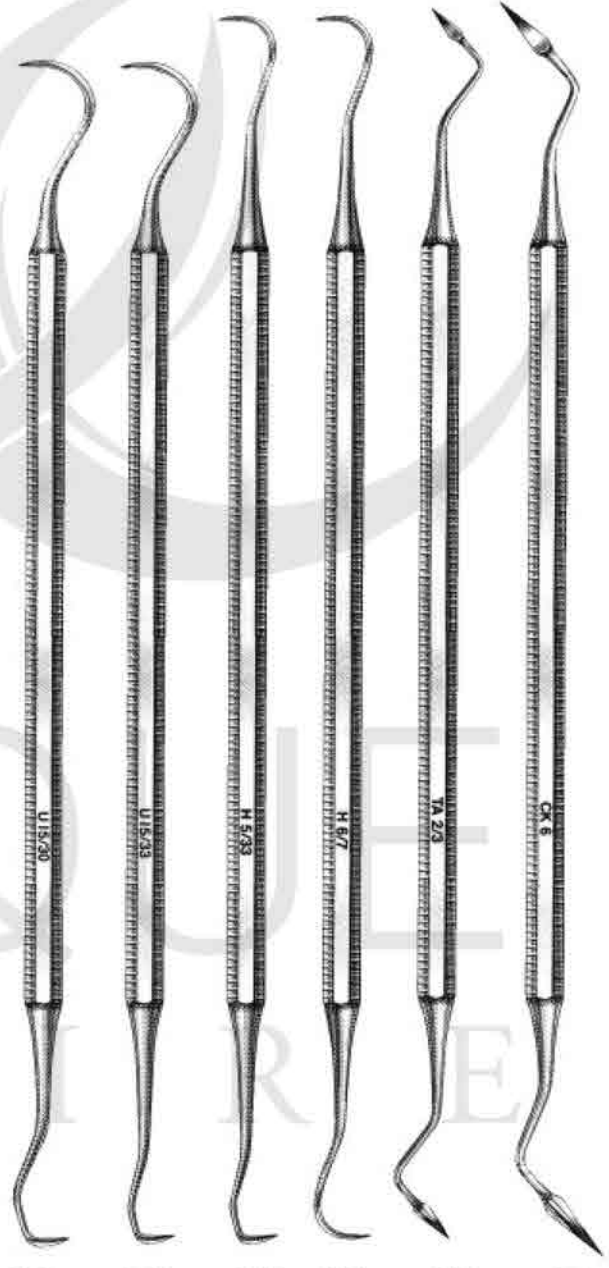
## SCALERS - JAQUETTE



- 1544 1Y-1Y
- 1545 1Y-1YS
- 1546 2Y-3Y
- 1547 2YS-3YS
- 1548 2-3
- 1549 2S-3S

1550 Fig.1

## SCALERS - OCTAGONAL



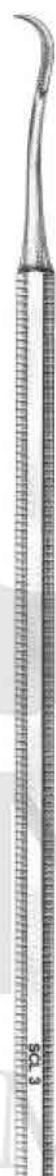
- 1551 U15-30
- 1552 U15-33
- 1553 H5-33
- 1554 H6-7
- 1555 Taylor 2-3
- 1556 CK6



## Scalers



1557  
U15



1558  
No. 3



1559  
No. 12



1560  
WHITESIDE 1-0

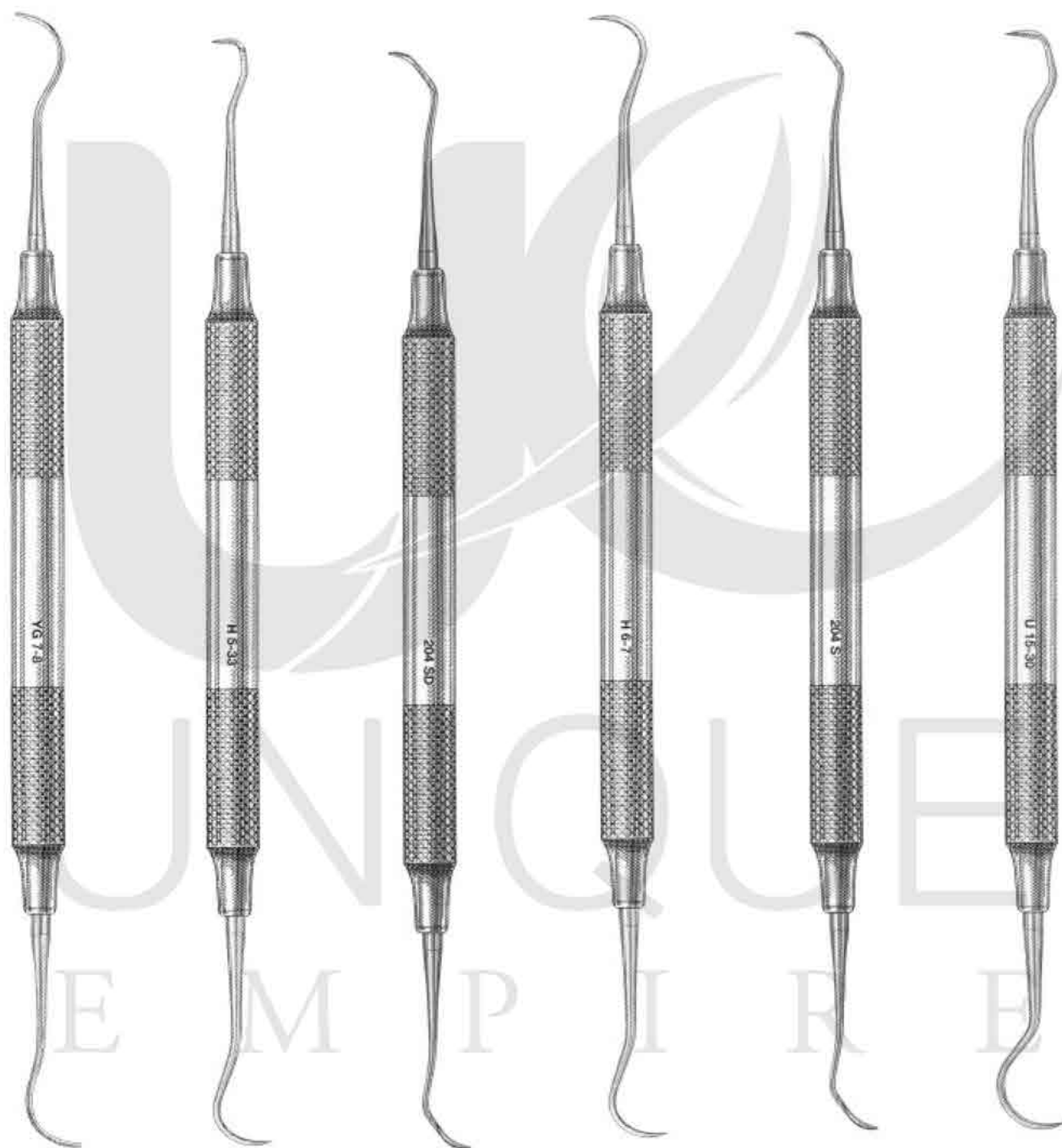


1561  
WHITESIDE 2-0





## Scalers



**1562**  
YAOUNGER/GOOD  
7-8

**1563**  
H5-33

**1564**  
204SD

**1565**  
H6-7

**1566**  
204S

**1567**  
TOWNER/JAQUETTE  
U15-30





## Scalers



1568  
JAQUETTE (33-U15)



1569  
JAQUETTE  
2Y-3Y



1570  
JAQUETTE  
30-U15



1571  
JAQUETTE  
2YS-3YS



1572  
JAQUETTE  
33-H5



1573  
YOUNGER/GOOD  
7-8



1574  
204S



1575  
204SD



1576  
H6-7



1577  
JAQUETTE  
2S-3S



1578  
JAQUETTE  
1Y-1YS



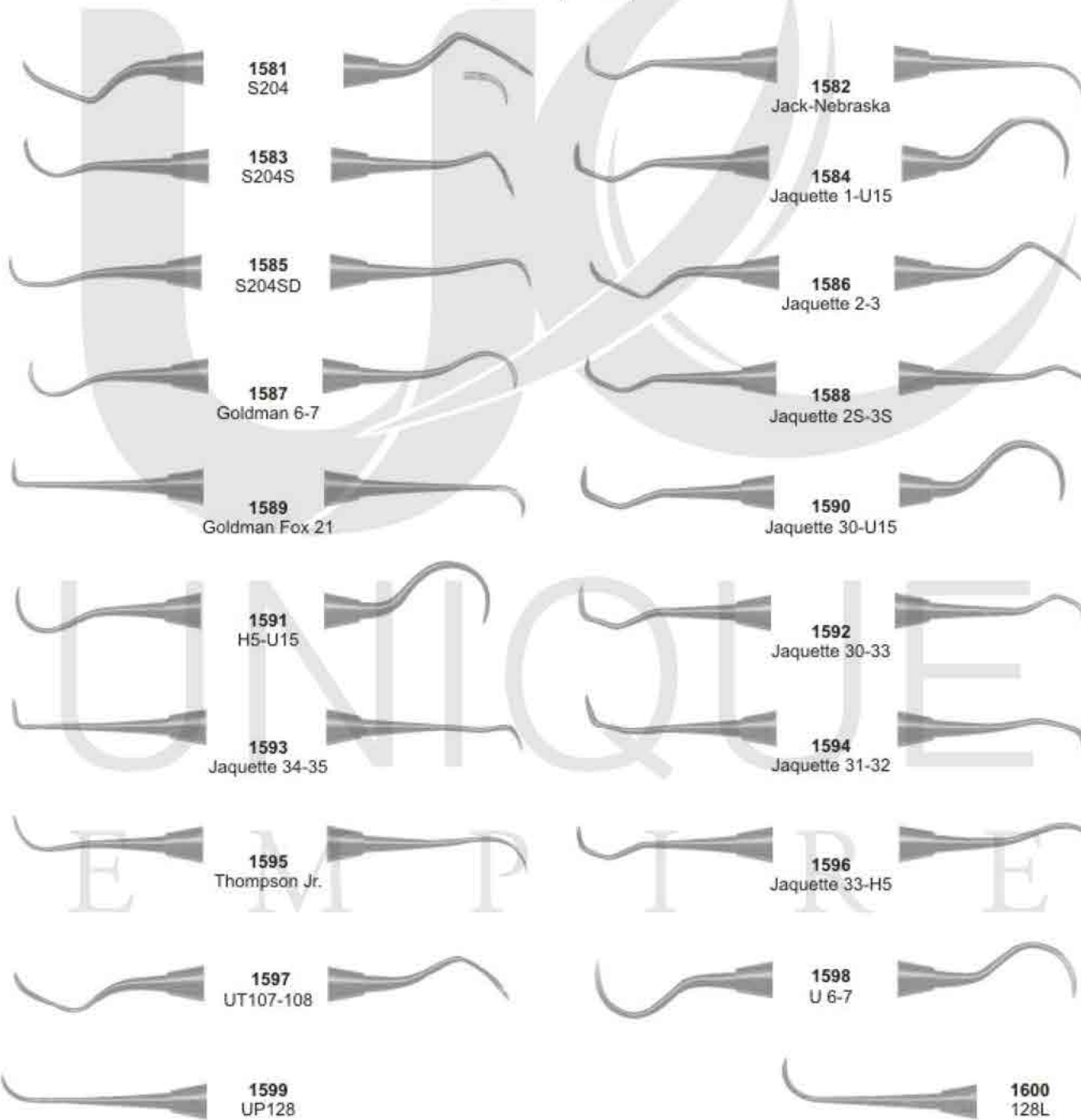
1579  
JAQUETTE  
2-3



## Scalers



1580  
JAQUETTE (33-U15)



1581  
S204

1583  
S204S

1585  
S204SD

1587  
Goldman 6-7

1589  
Goldman Fox 21

1591  
H5-U15

1593  
Jaquette 34-35

1595  
Thompson Jr.

1597  
UT107-108

1599  
UP128

1582  
Jack-Nebraska

1584  
Jaquette 1-U15

1586  
Jaquette 2-3

1588  
Jaquette 2S-3S

1590  
Jaquette 30-U15

1592  
Jaquette 30-33

1594  
Jaquette 31-32

1596  
Jaquette 33-H5

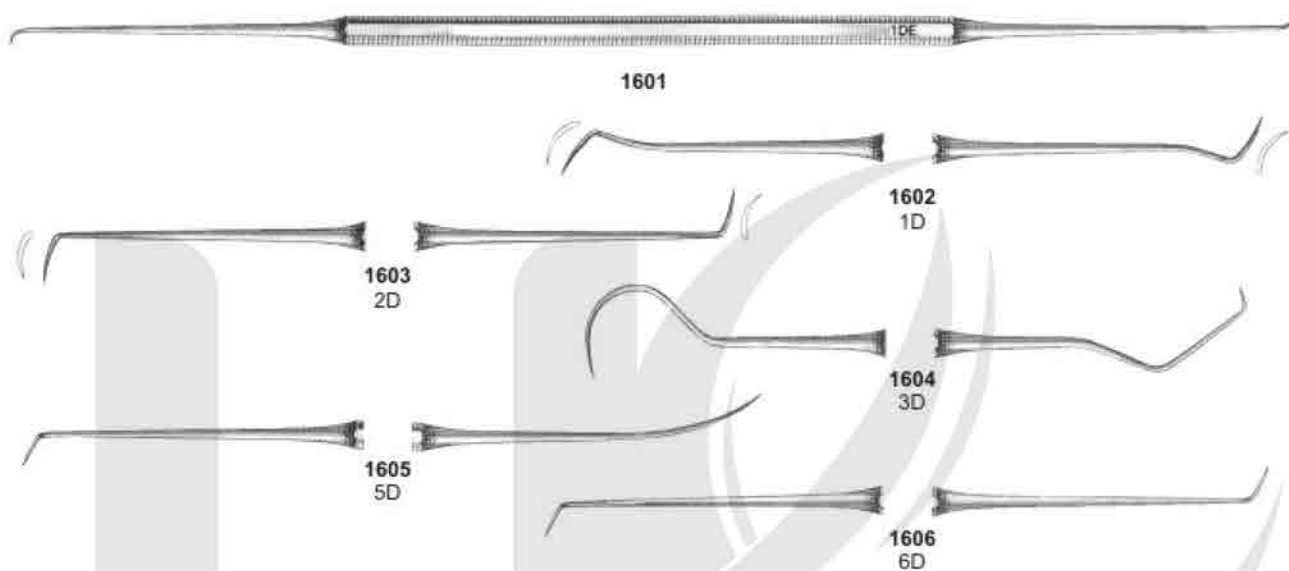
1598  
U 6-7

1600  
128L

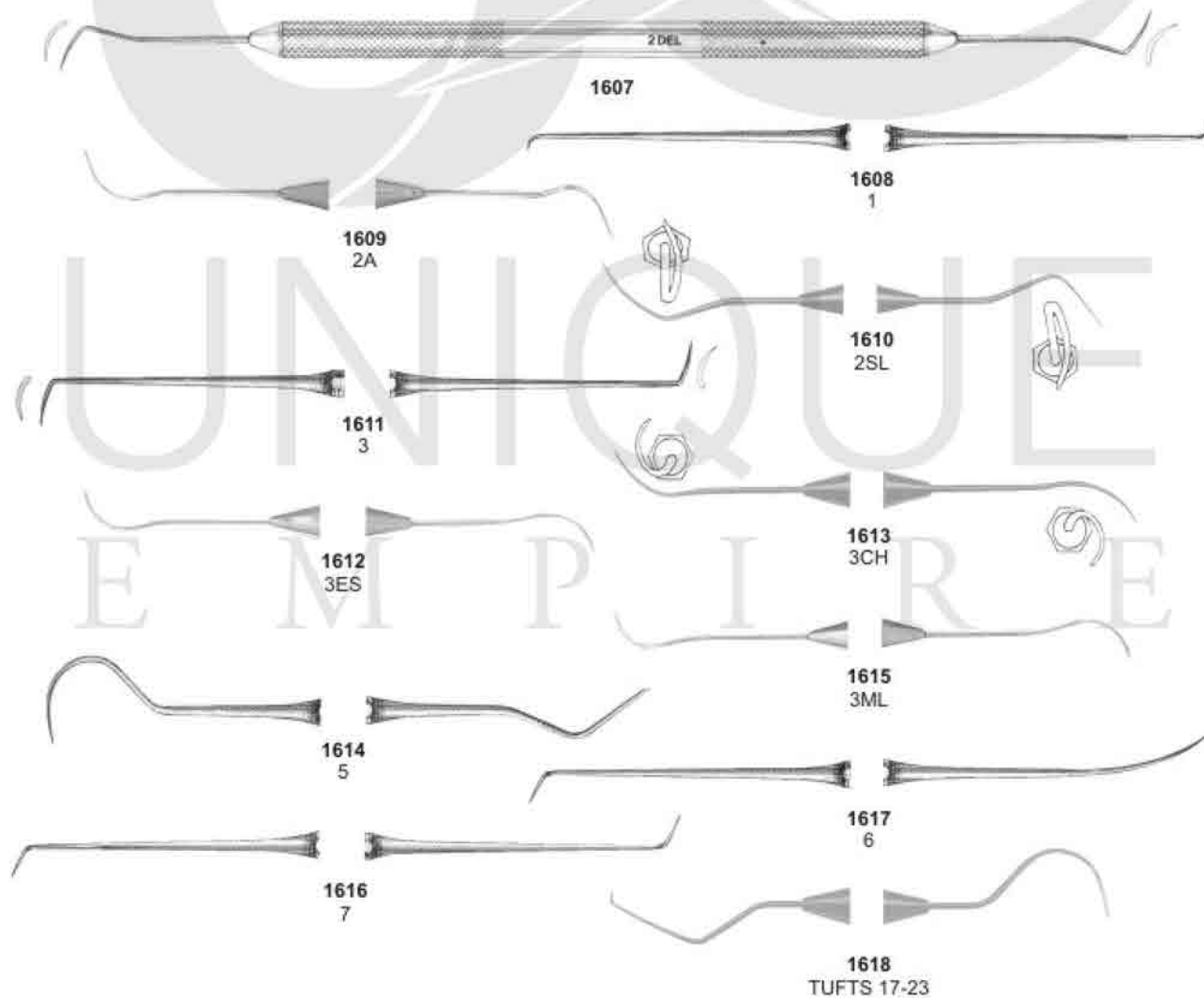


## Explorers

### Explorers Double Ended - Octagonal



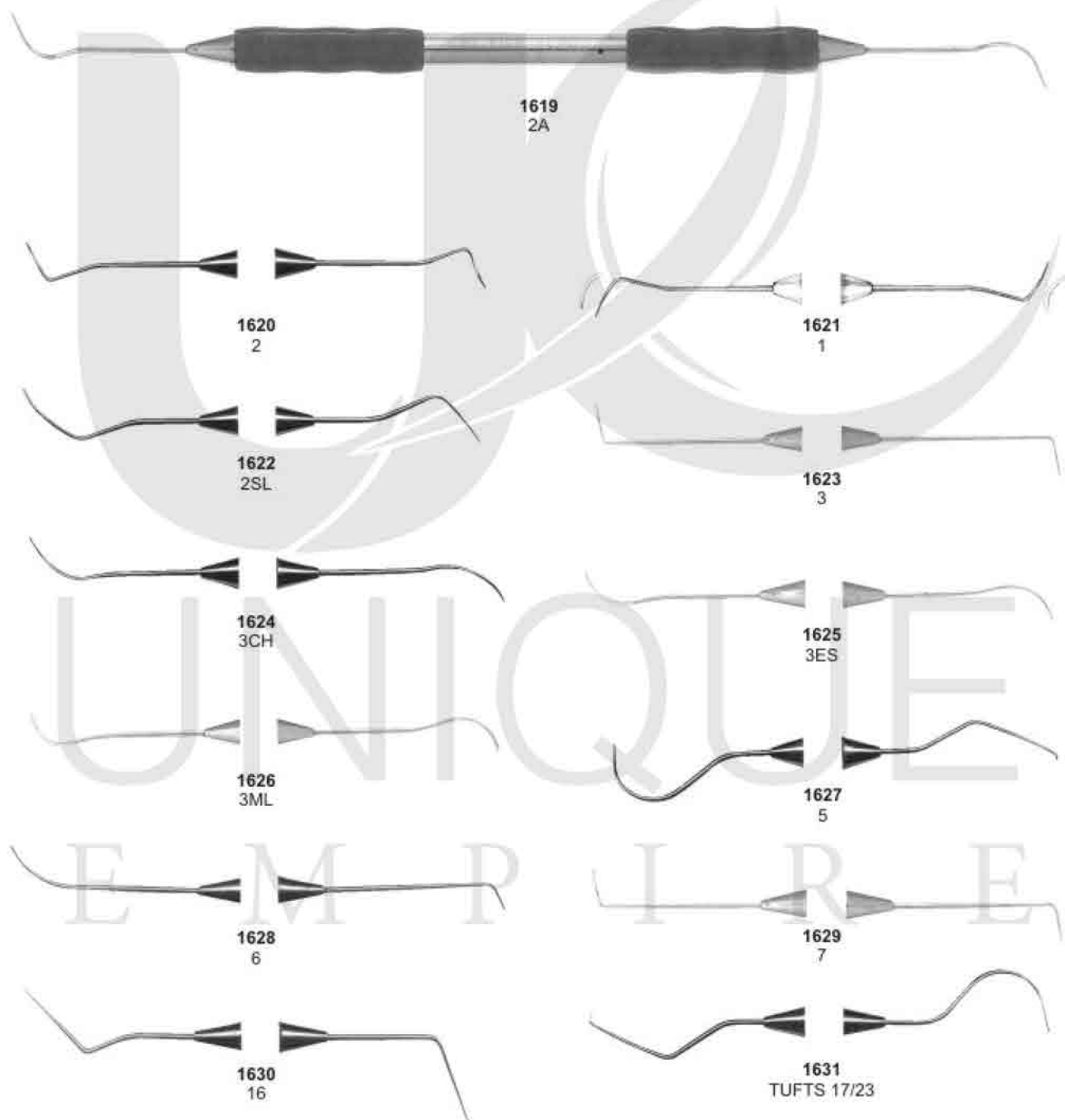
### Explorers Double Ended - Standard





**Explorers**

**Explorers Double Ended Tactile Tone**

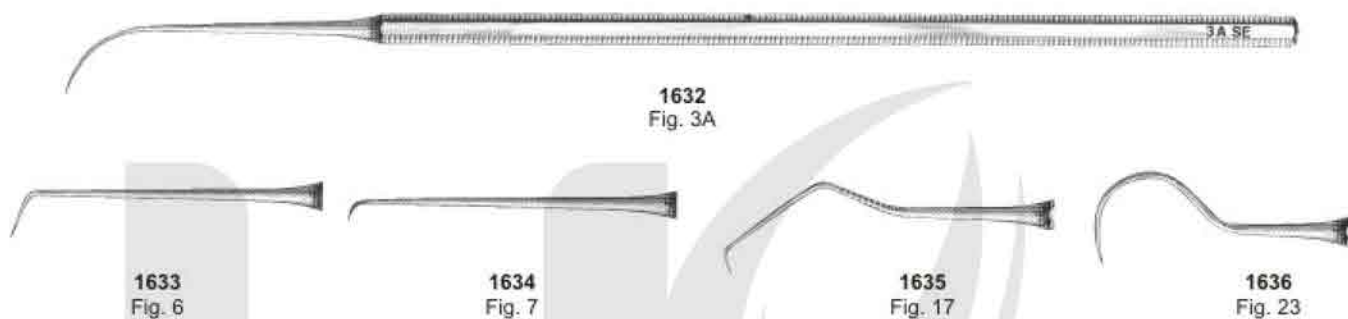




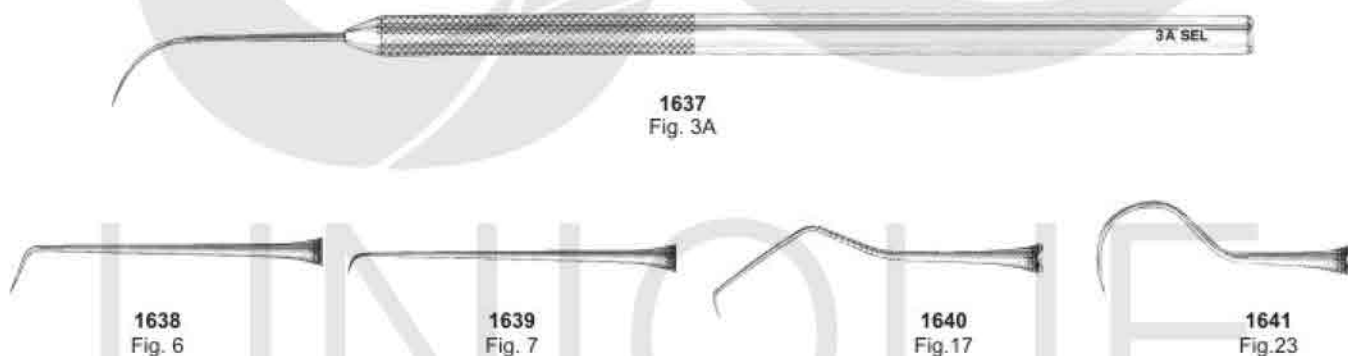


## Explorers & Probes

### Explorers Single Ended - Octagonal



### Explorers Single Ended - Standard



### Probe / Explorer - Octagonal



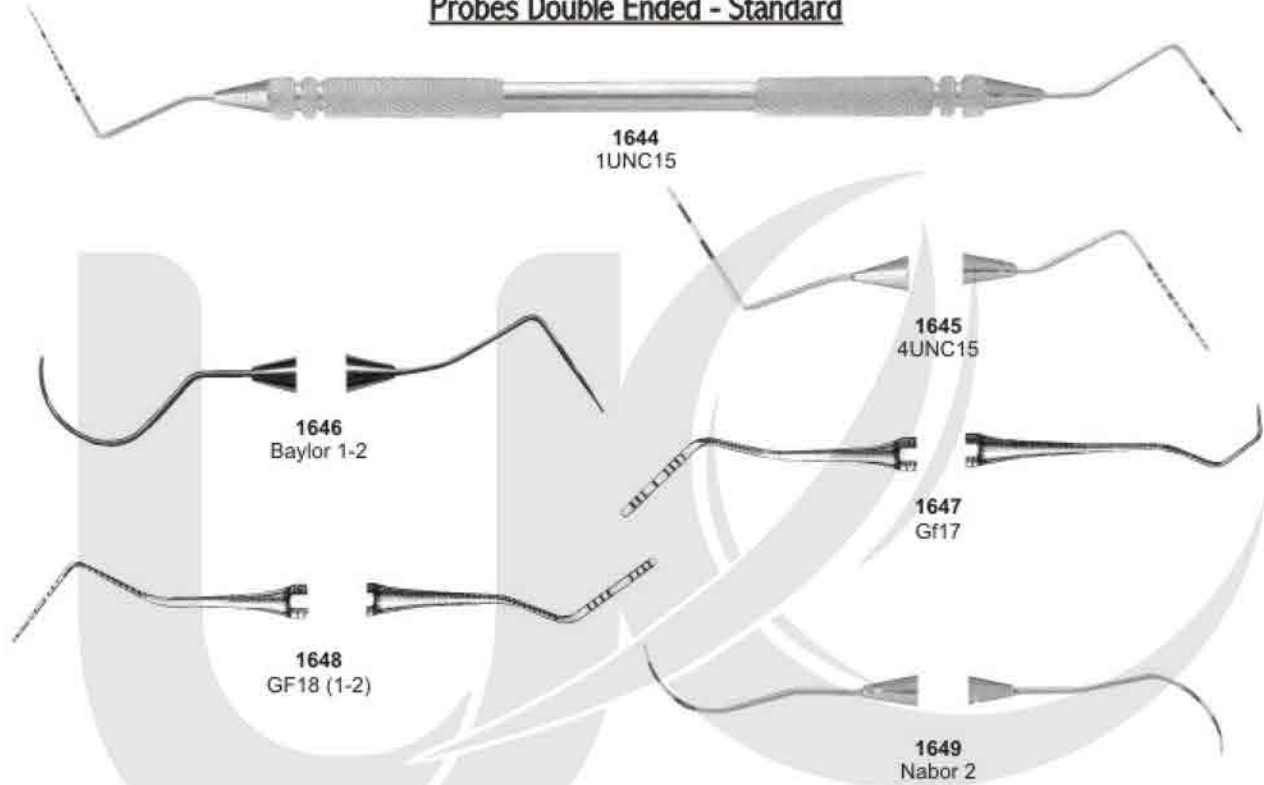
### Double Ended Probe - Octagonal



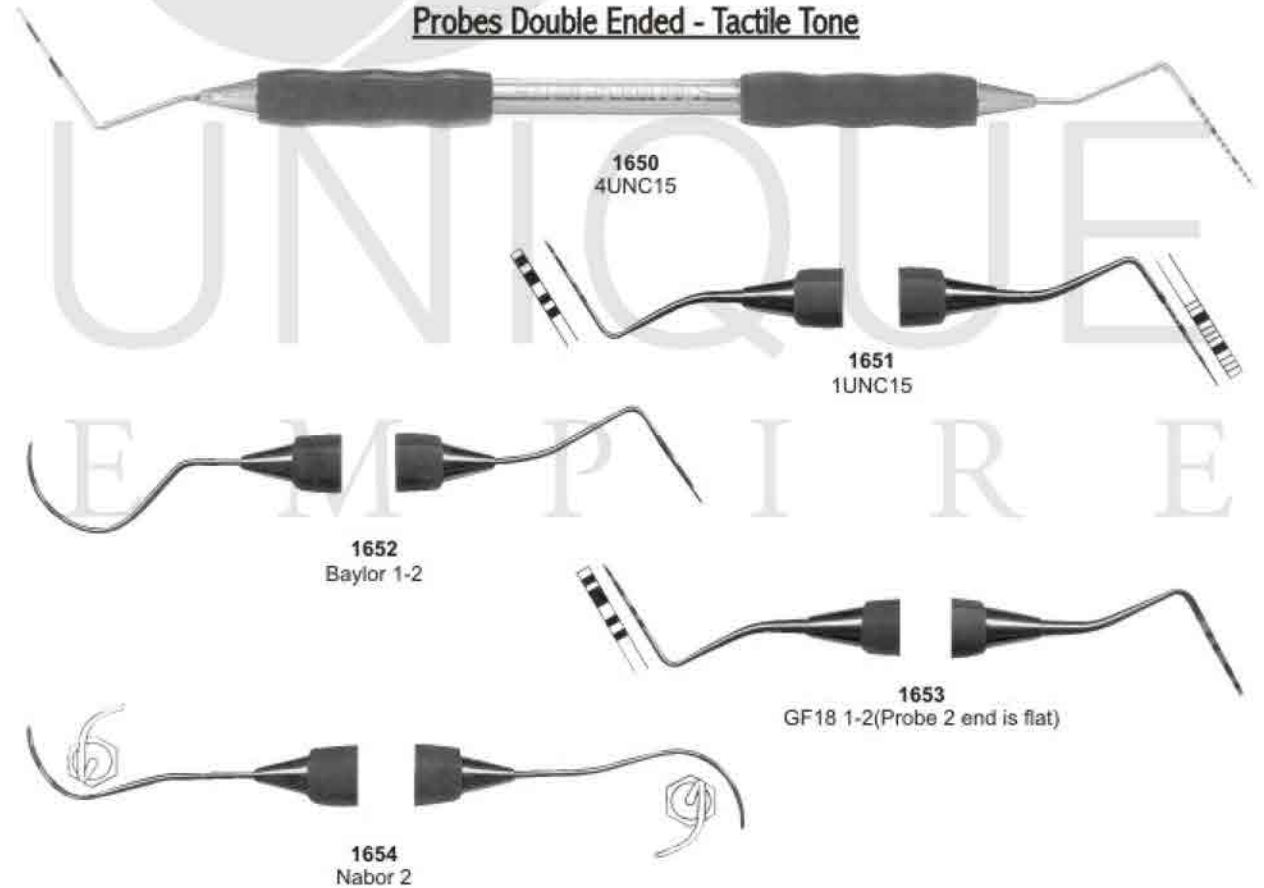


## Probes

### Probes Double Ended - Standard

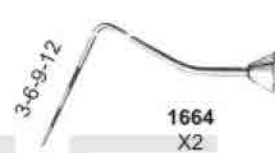
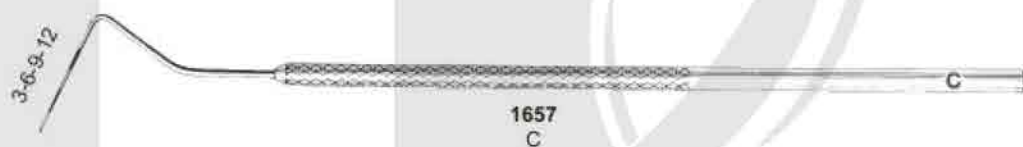
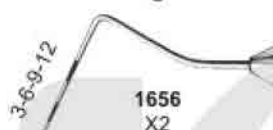
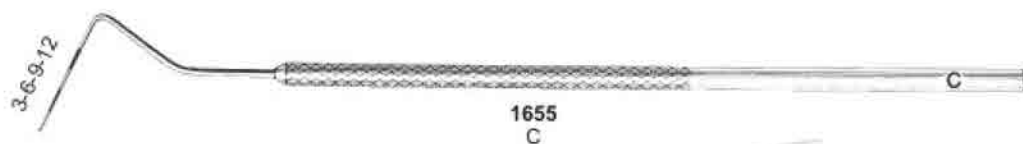


### Probes Double Ended - Tactile Tone





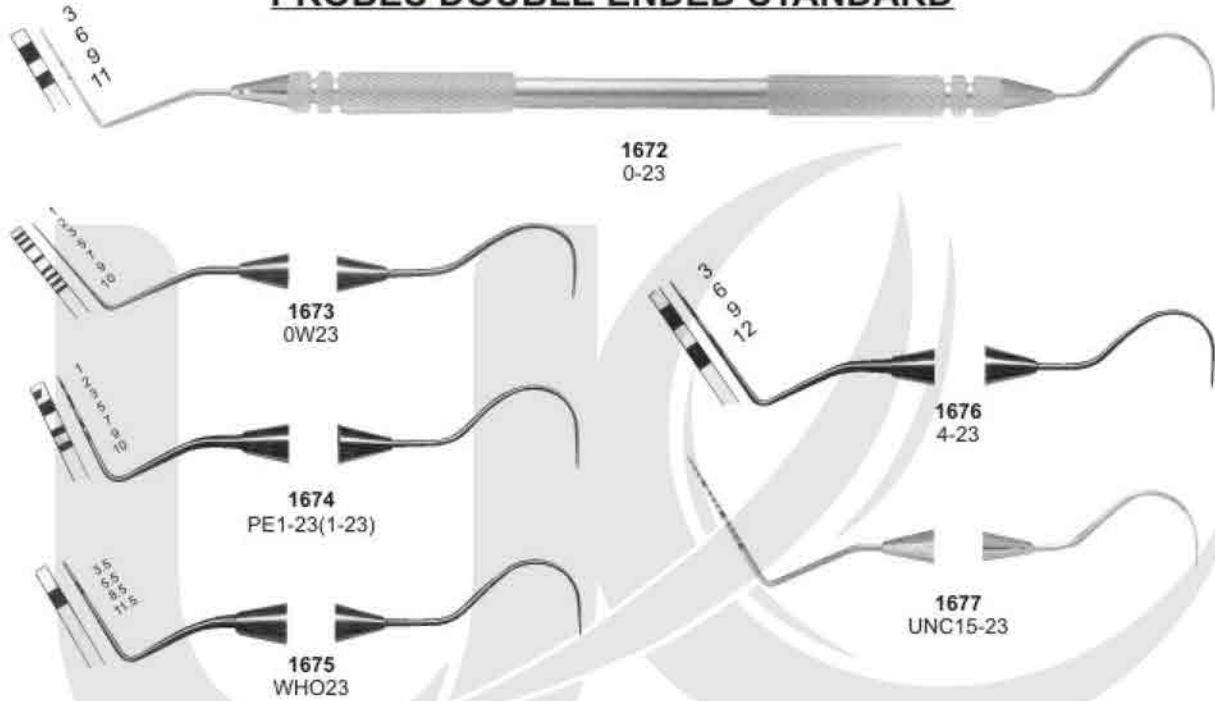
# Probes



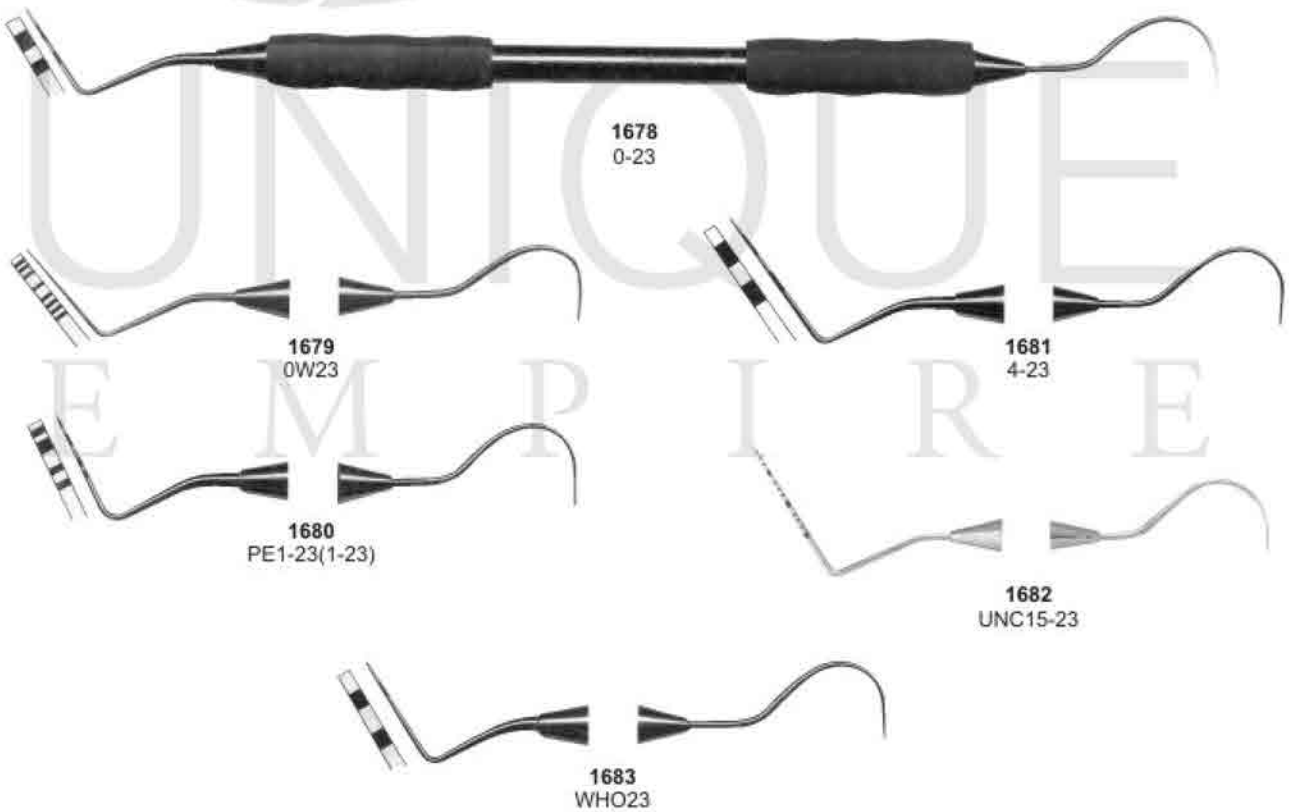


## Probes

### PROBES DOUBLE ENDED STANDARD



### PROBES DOUBLE ENDED TACTILE TONE







**UNIQUE**  
E M P I R E

**SERVING HEALTH CARE WORLD WIDE**



**Mohalla Peeple Wala Kotli Behram,  
Sialkot - 51310 Pakistan.**



**+92-052-4262361**



**+92 302 6633155**



**info@uniqueempir.com**



**<https://www.uniqueempir.com/>**



**FDA CE**