



SERVING HEALTH CARE WORLD WIDE

 @surgicalinstrumentssupplies

 @uniqueempiresurgical

 @unique-empire-b339b51aa

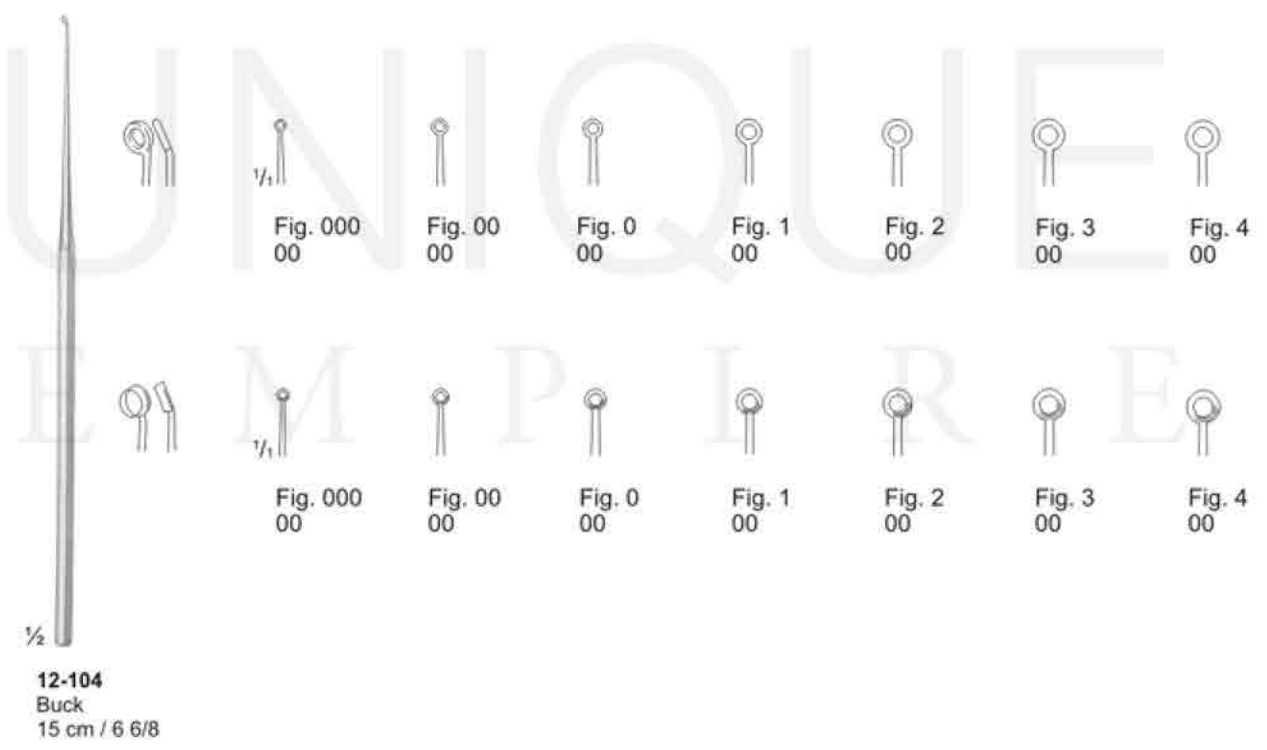
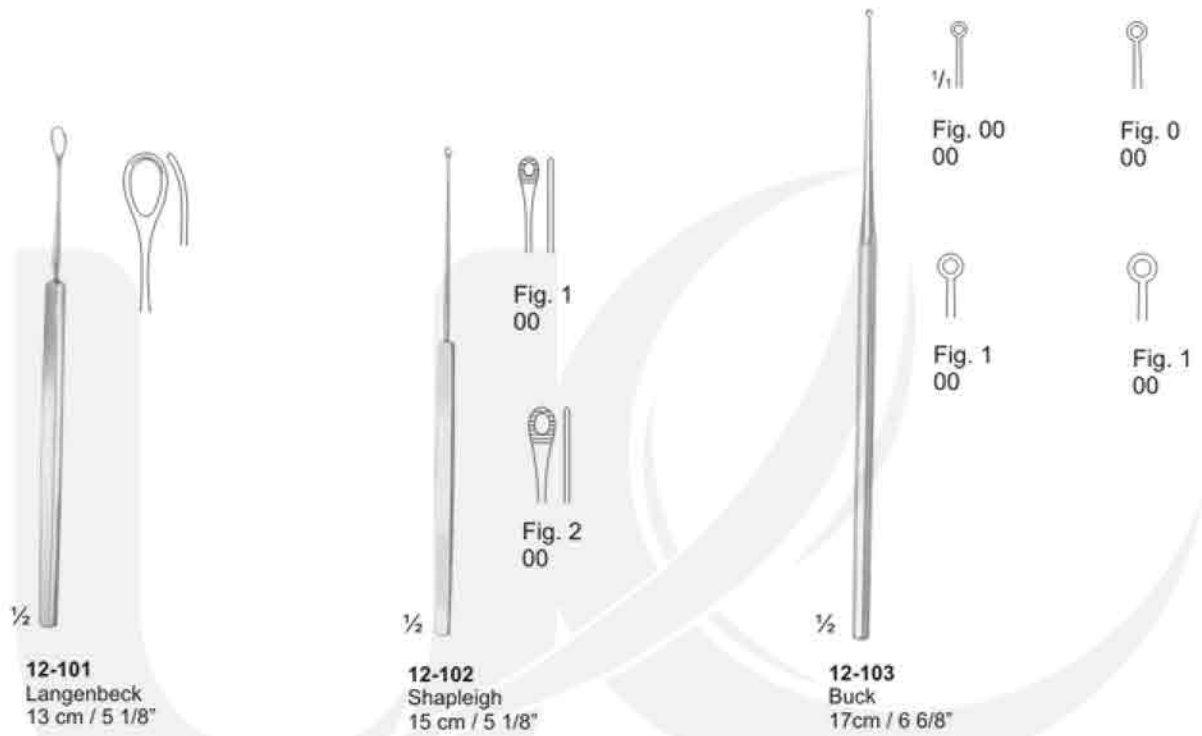
 +92 302 6633155



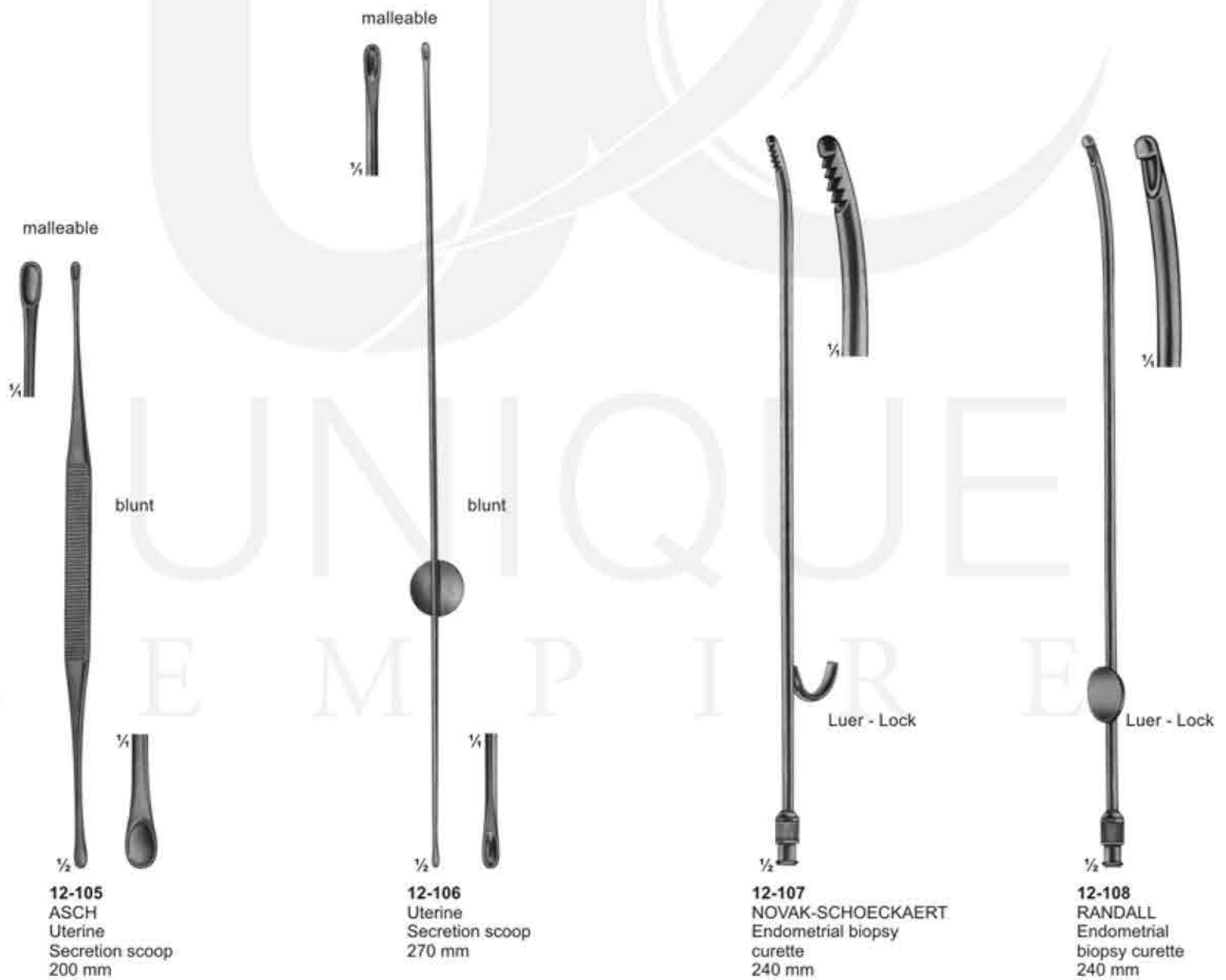
SURGICAL
INSTRUMENTS

[HTTPS://WWW.UNIQUEEMPIRE.COM/](https://www.uniqueempire.com/)

Ear Curettes



Biopsy Curettes



12-105
ASCH
Uterine
Secretion scoop
200 mm

12-106
Uterine
Secretion scoop
270 mm

12-107
NOVAK-SCHOECKAERT
Endometrial biopsy
curette
240 mm

12-108
RANDALL
Endometrial
biopsy curette
240 mm

Ear Polypus Forceps



12-109
Hartmann-Wullstein
shaft length
85 mm



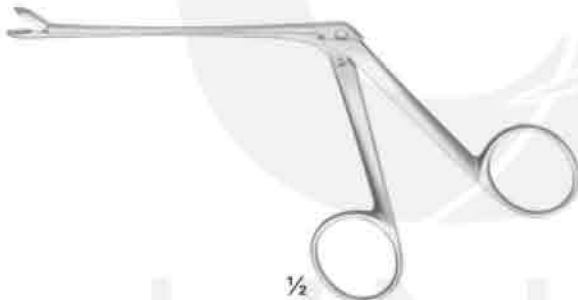
12-110
Hartmann-Wullstein
shaft length
85 mm



12-111
Hartmann
shaft length
85 mm



12-112
Hartmann
shaft length
85 mm



$\frac{1}{2}$
12-109 - 12-119

12-113
14 cm / 5 4/8"
shaft length
140 mm



$\frac{1}{4}$
12-114
Hartmann-Herzfel
2,0 mm
shaft length
85mm



12-115
Hartmann
3 mm
shaft length
85mm



12-116
shaft length
85mm

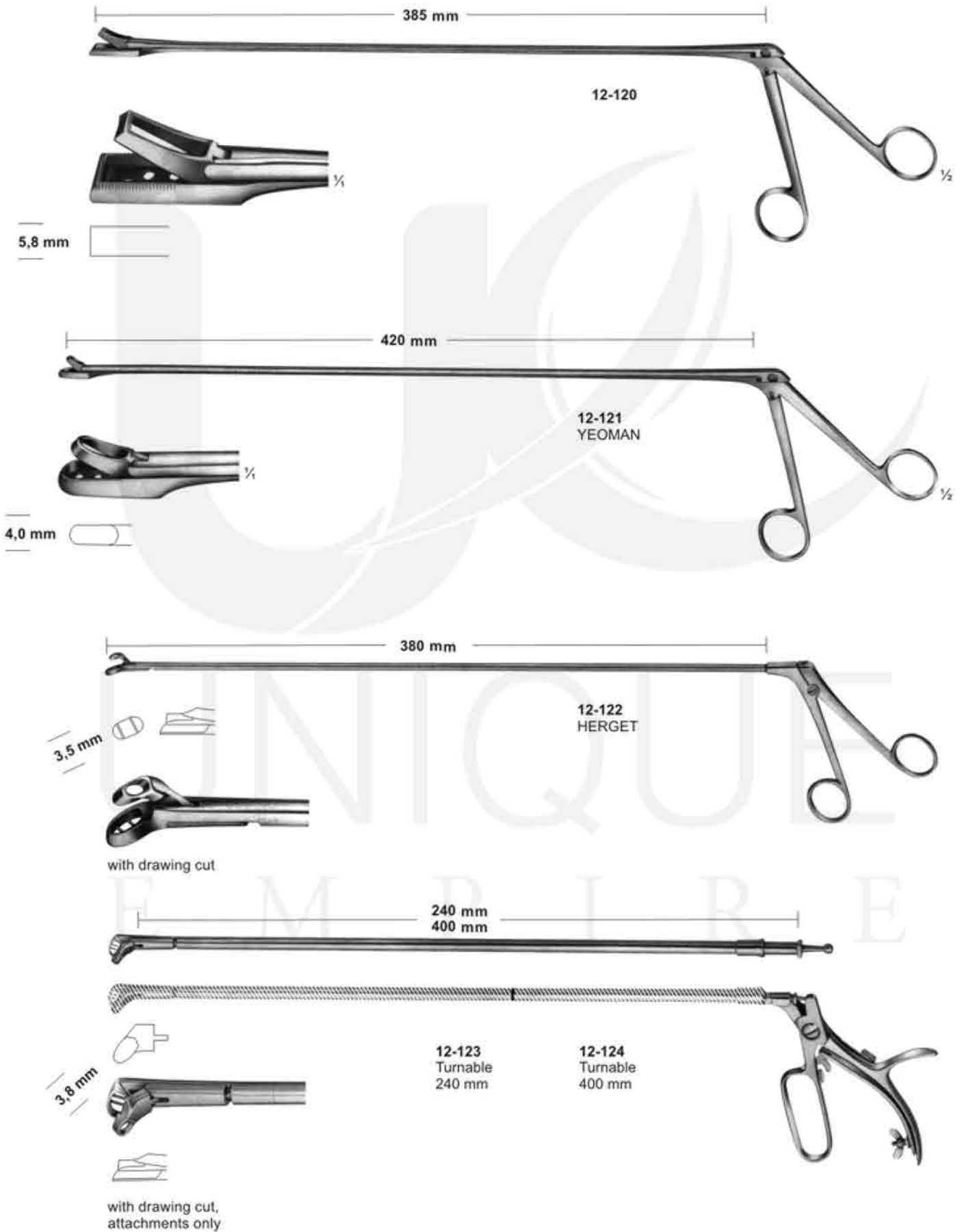


12-117
Hartmann-Hoffmar
2,0 mm
85mm

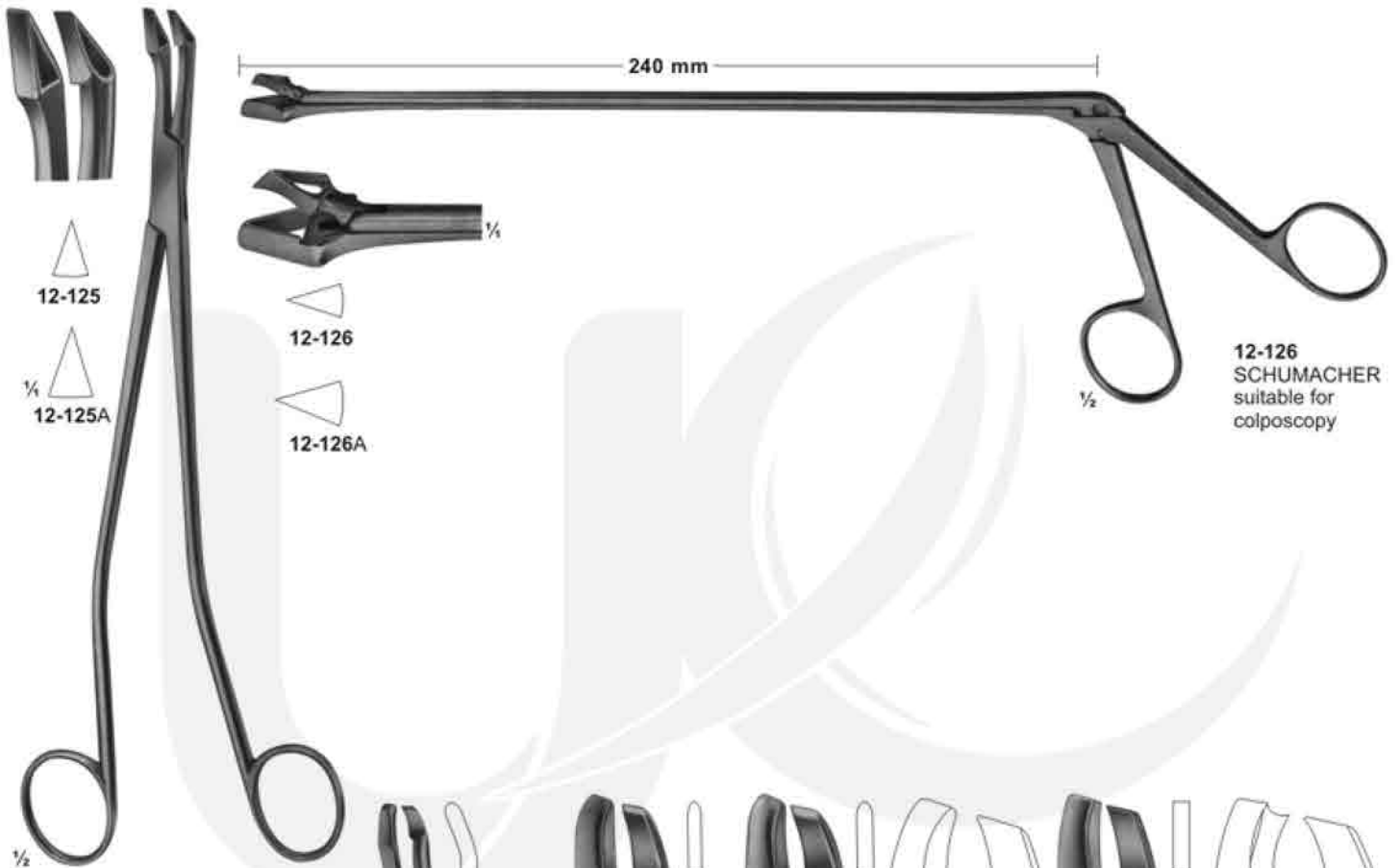
12-118
2,5 mm
85 mm

12-119
3,0 mm
85 mm

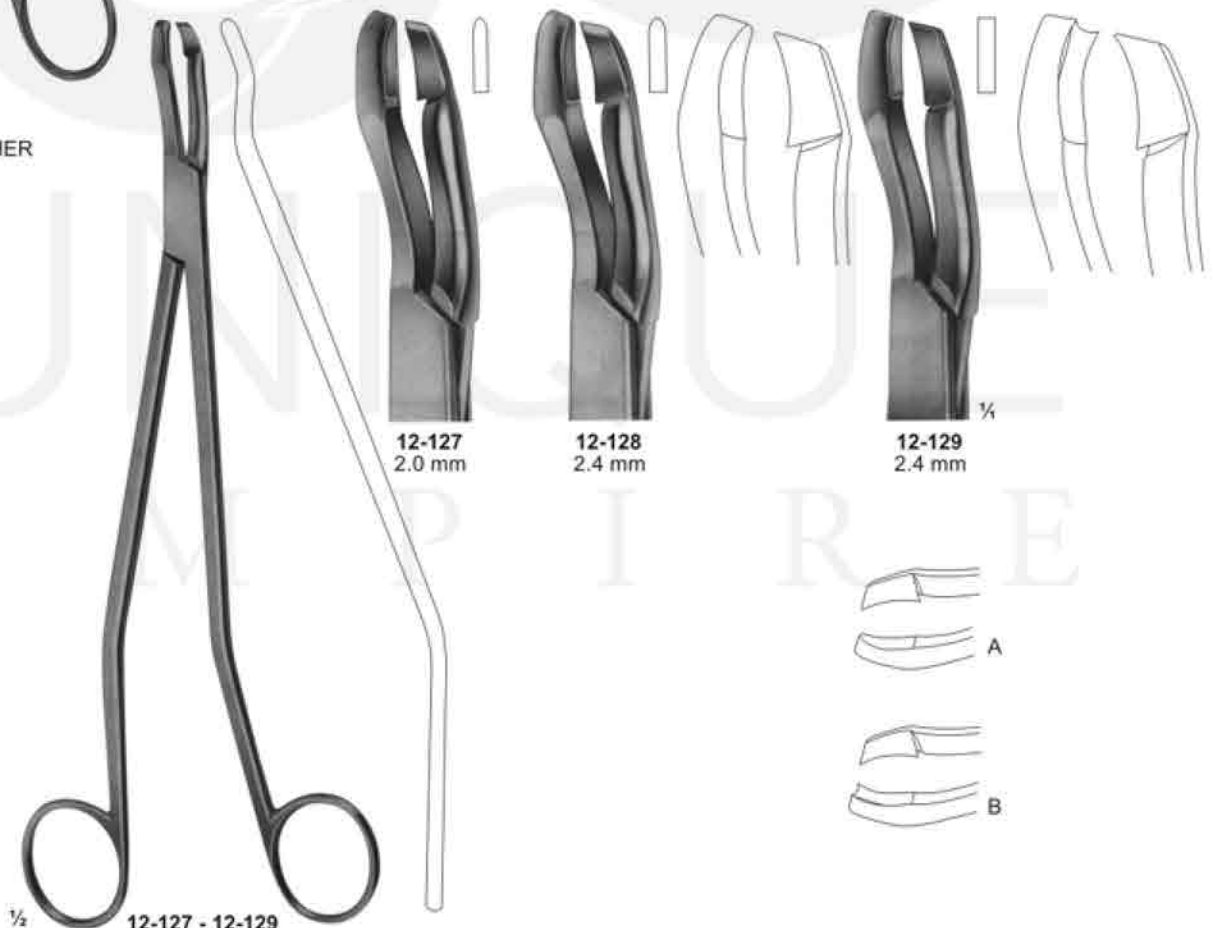
Biopsy forceps for rectum



Biopsy Forceps

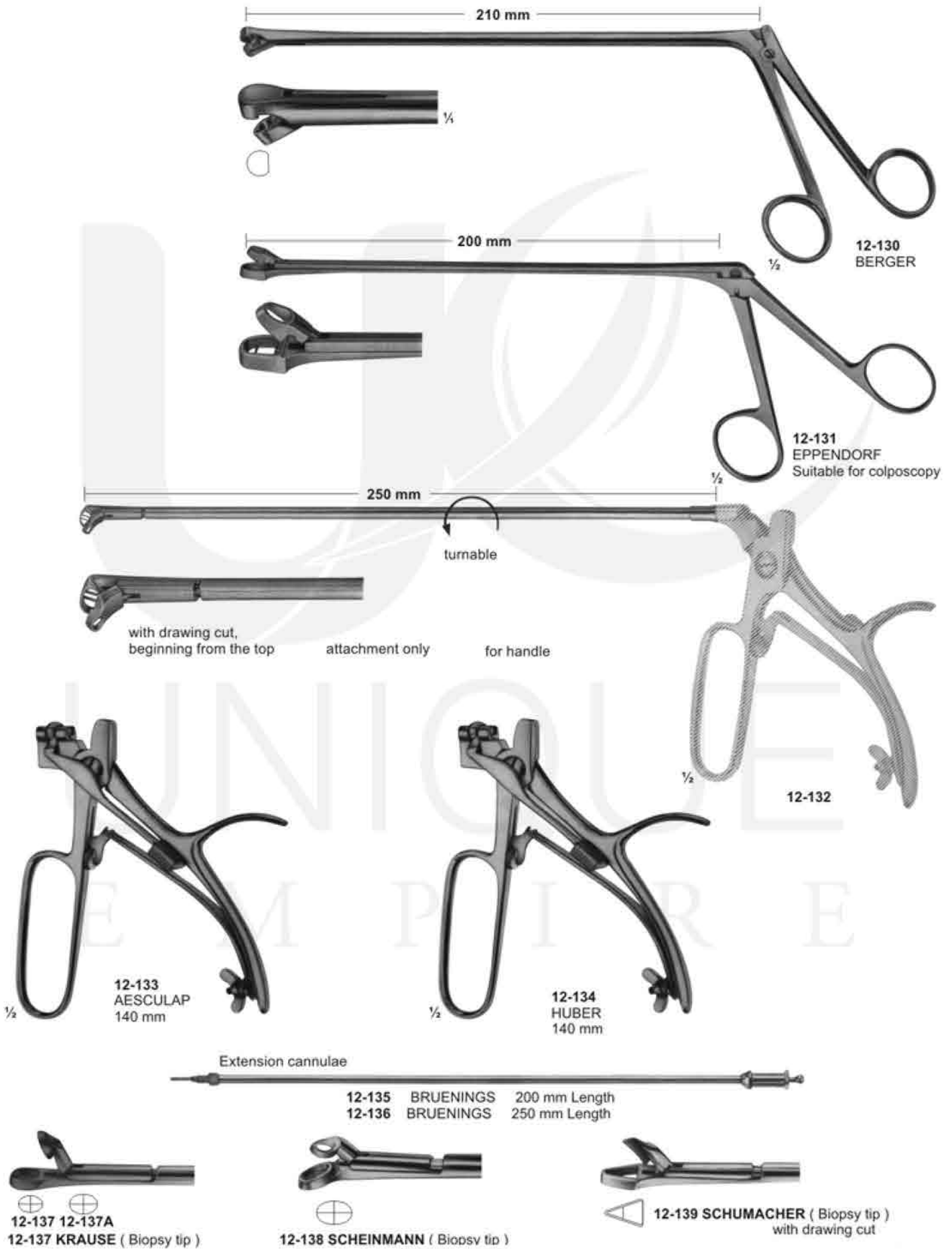


12-125
SCHUMACHER
240mm

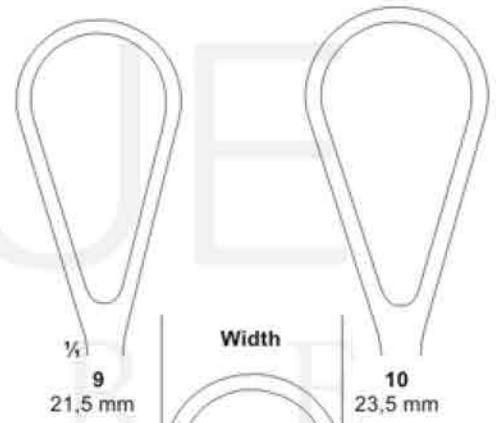
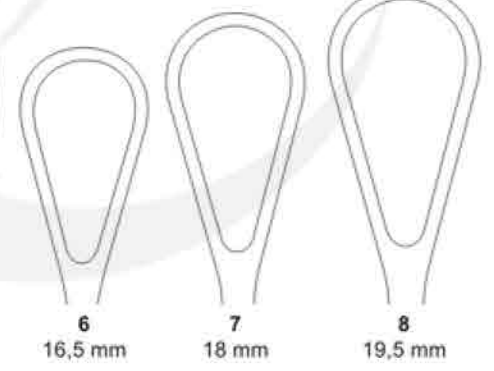
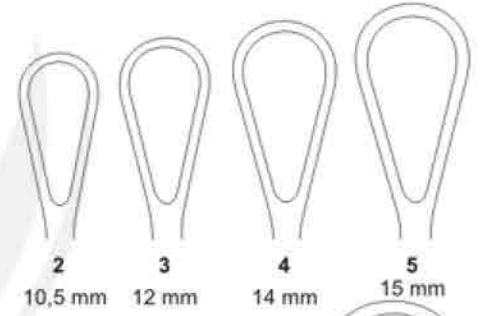
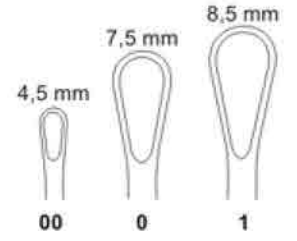


12-127 - 12-129
SEIDL DBP
Biopsy forceps, bayonet shaped
for portio, vagina and vulva
240mm

Biopsy Forceps



Uterine Scoops



12-140
SIMON
240 mm



12-141
SCHROEDER
310 mm



12-142
RECAMIER
300 mm



UNIQUE
E M P I R E

SERVING HEALTH CARE WORLD WIDE



Mohalla Peeple Wala Kotli Behram,
Sialkot - 51310 Pakistan.



+92-052-4262361



+92 302 6633155



info@uniqueempir.com



<https://www.uniqueempir.com/>



FDA CE