




SERVING HEALTH CARE WORLD WIDE

 @surgicalinstrumentssupplies

 @uniqueempiresurgical

 @unique-empire-b339b51aa

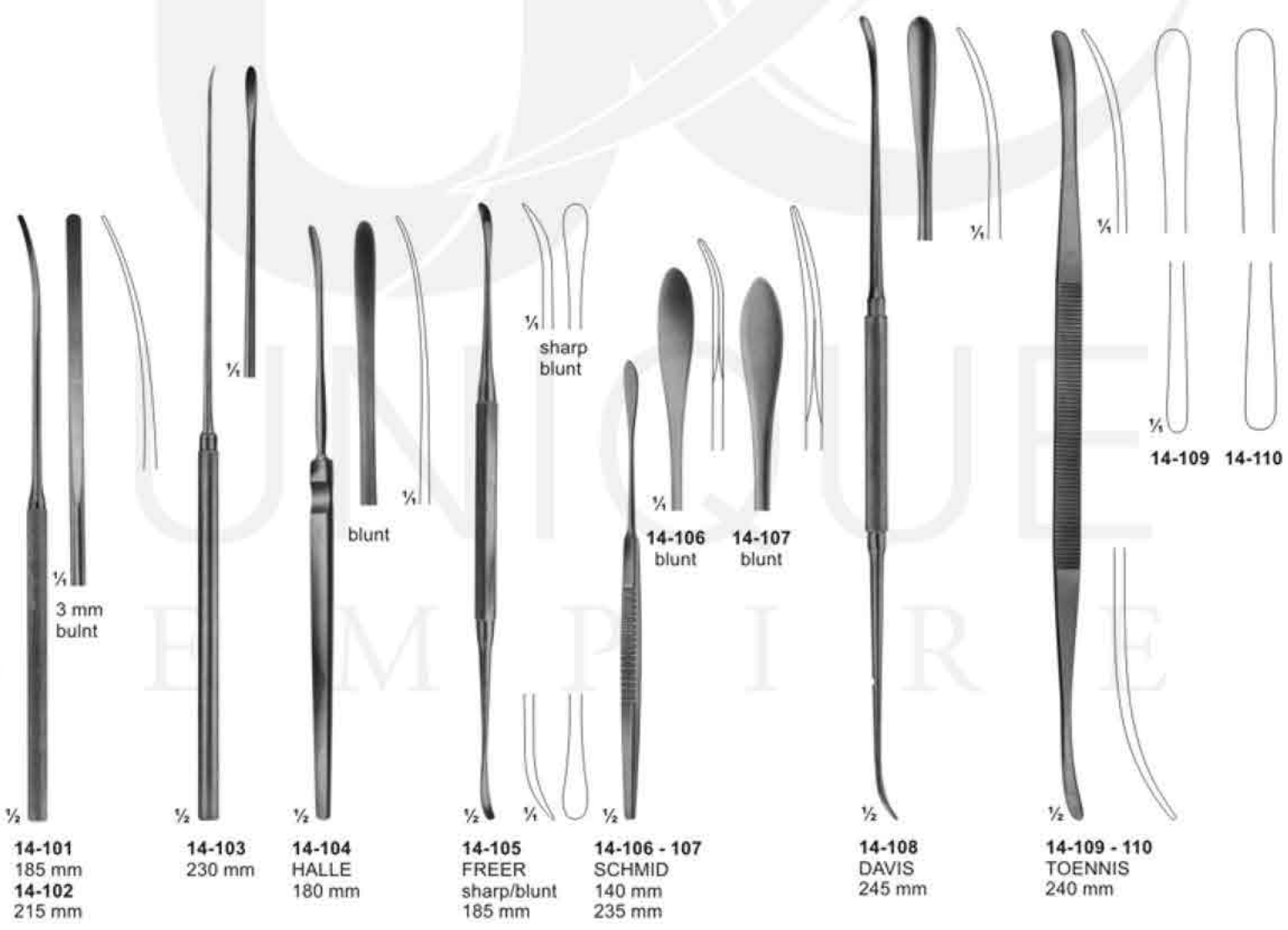
 +92 302 6633155



SURGICAL
INSTRUMENTS

[HTTPS://WWW.UNIQUEEMPIRE.COM/](https://www.uniqueempire.com/)

Vascular Spatulas



14-101
185 mm
14-102
215 mm

14-103
230 mm

14-104
HALLE
180 mm

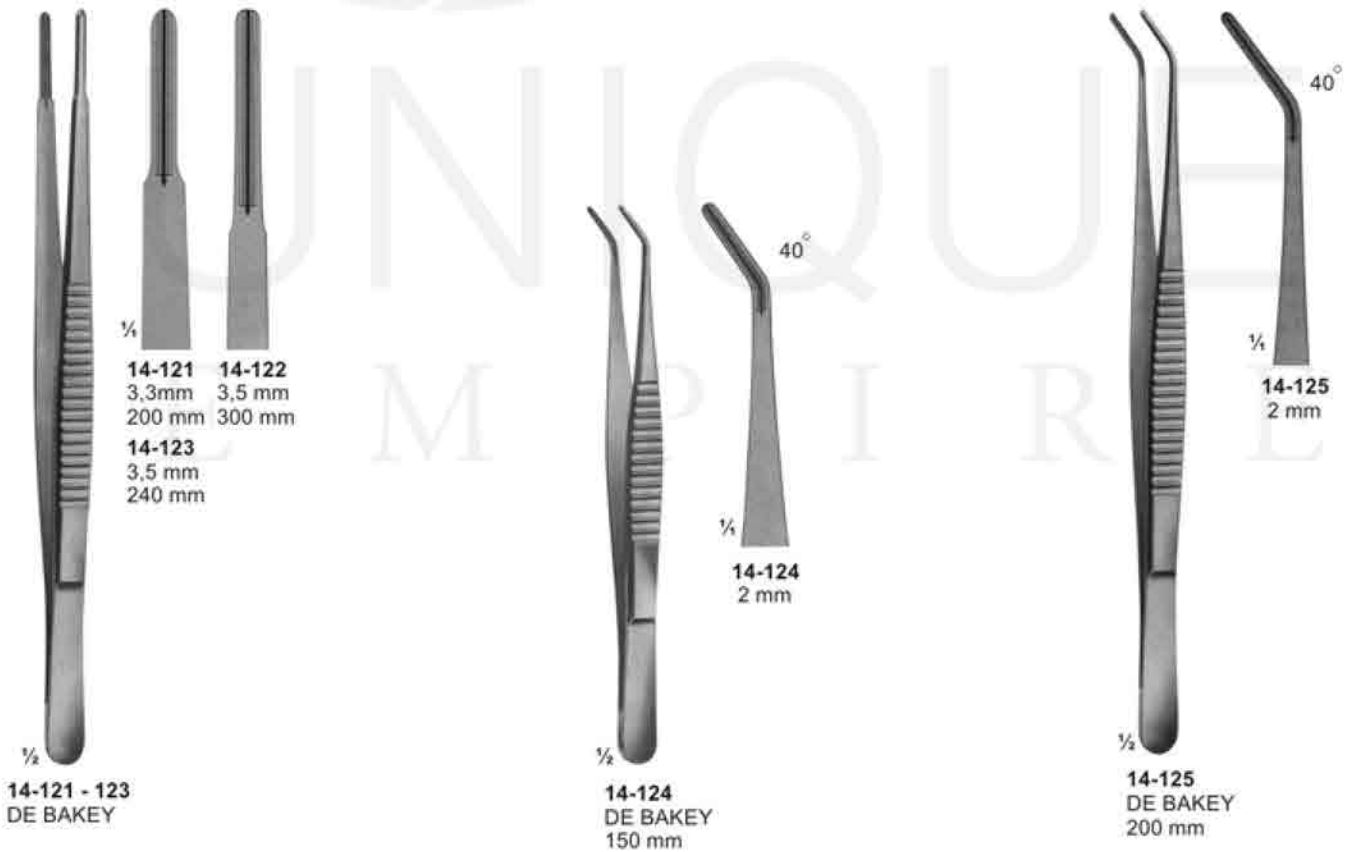
14-105
FREER
sharp/blunt
185 mm

14-106 - 107
SCHMID
140 mm
235 mm

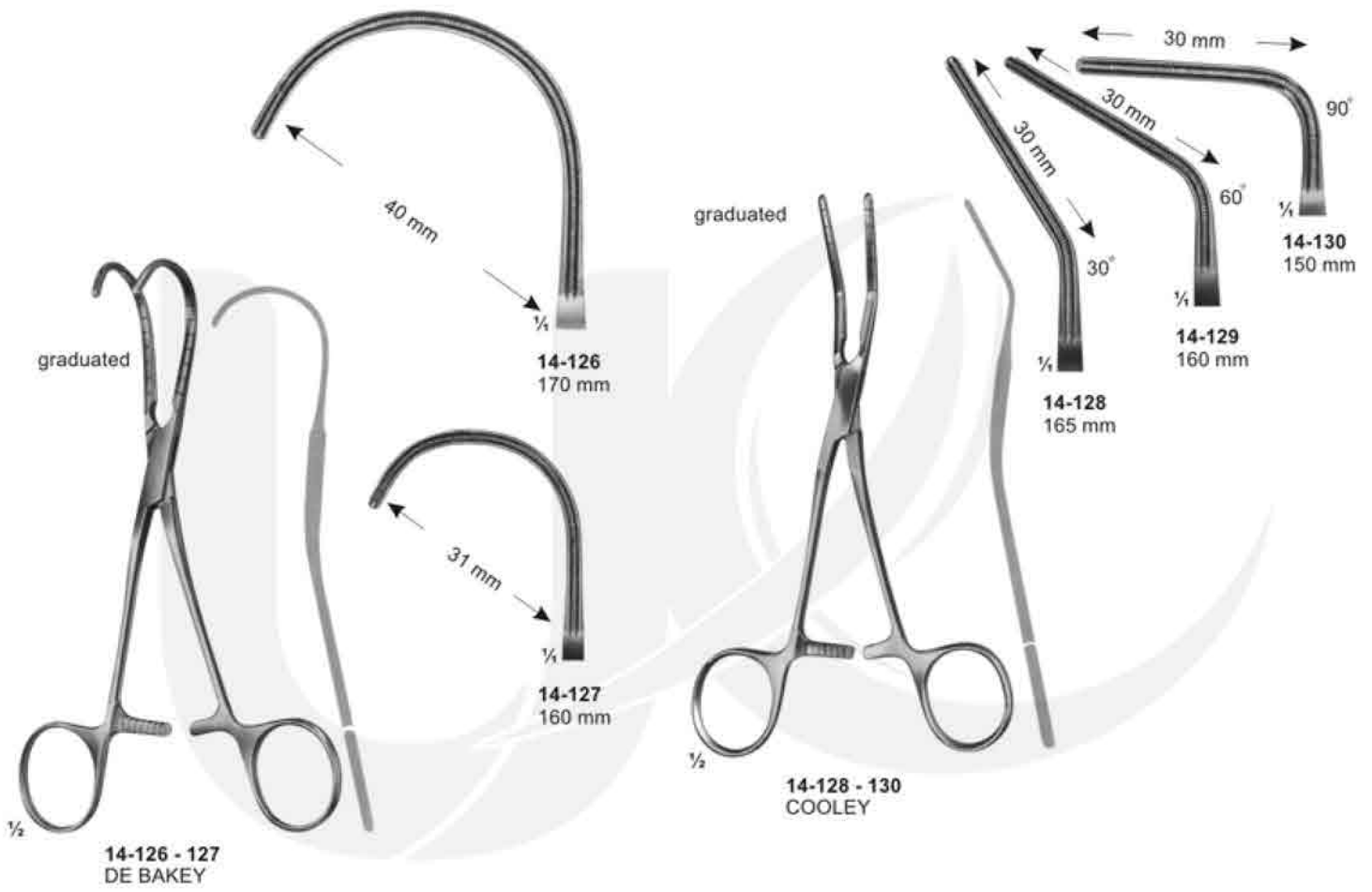
14-108
DAVIS
245 mm

14-109 - 110
TOENNIS
240 mm

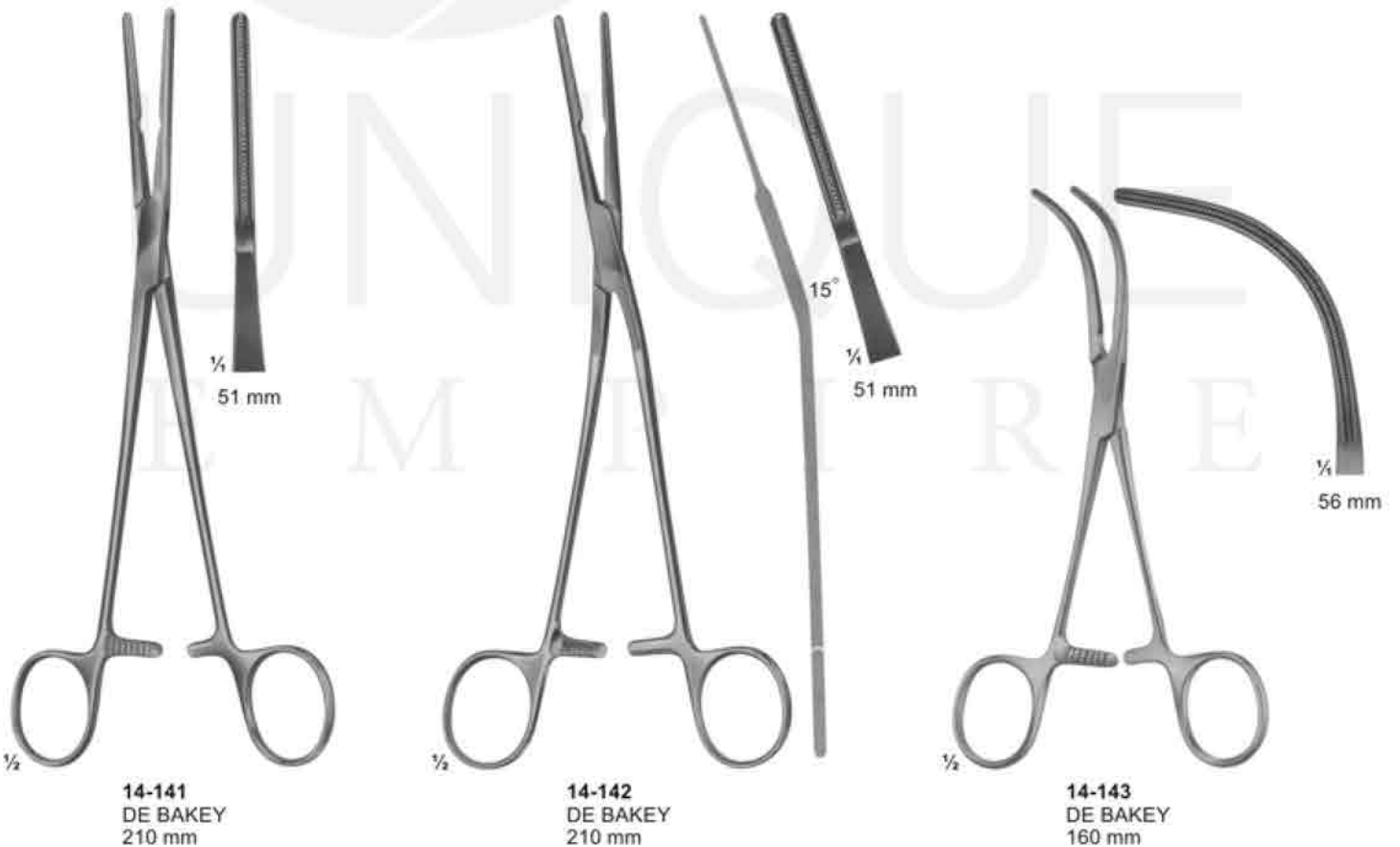
ATRAUMATA Forceps



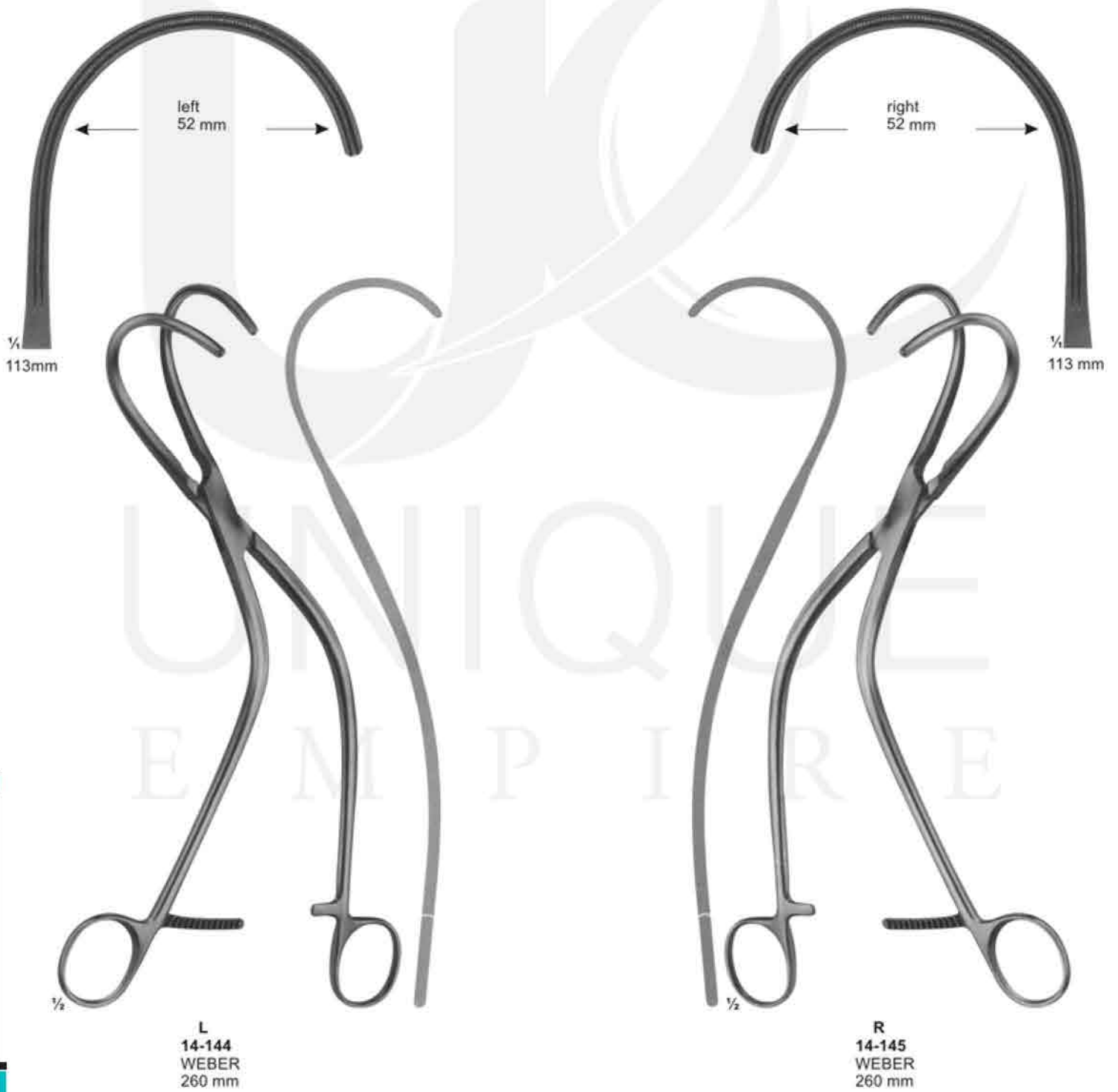
ATRAUMATA
Anastomosis- and Multi- Purpose- Clamps- Pediatric type.



ATRAUMATA
Coarctation Clamps, Patent-Ductus & Peripheral-Vascular Clamps



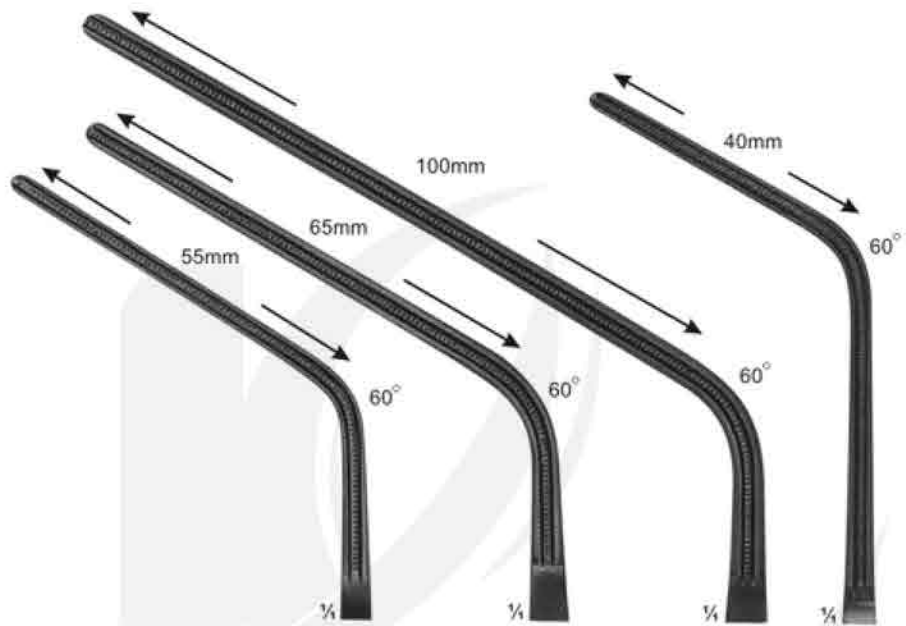
Aorta- Anastomosis Clamps



Multi- Purpose-Clamps



14-146 - 149
DE BAKKEY

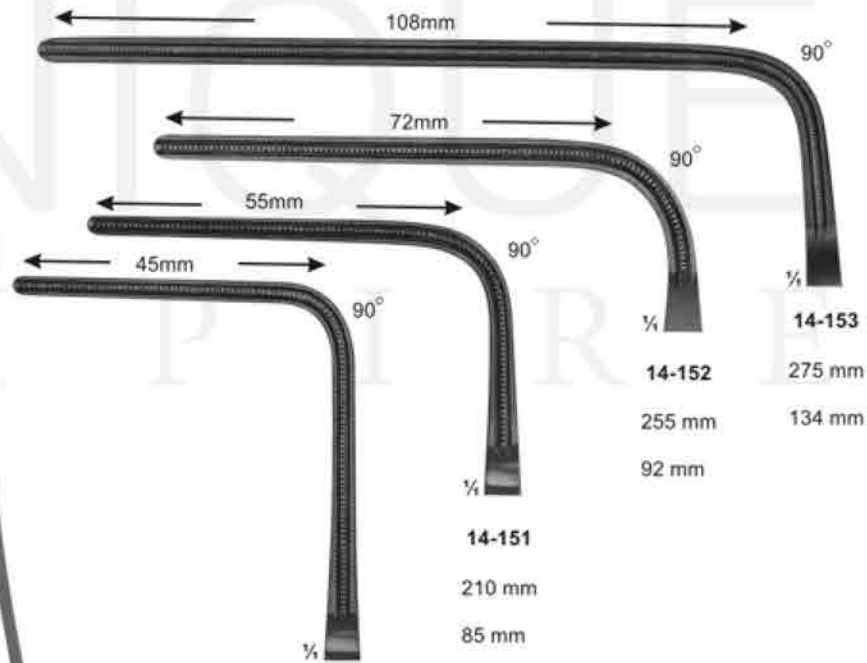


14-146 14-147 14-148 14-149

Total Length:	230 mm	280 mm	305 mm	240 mm
Length of jaws:	85 mm	100 mm	135 mm	93 mm



14-150 - 153
DE BAKKEY



14-150

14-151

14-152

14-153

Total Length:	225 mm
Length of jaws:	93 mm

Sternum Instruments and Rib Shears



14-154
SCHUMACHER
Sternum shears
210 mm



14-155
LEBSCHKE
Sternum chisel
200 mm



14-156
230 mm



14-157
COLLIN
195 mm



14-158
GLUCK
190 mm



14-159
BETHUNE
340 mm



14-160
BRUNNER
Universal pattern
340 mm



14-161
GIERTZ-STILLE
250 mm

Rib Spreaders



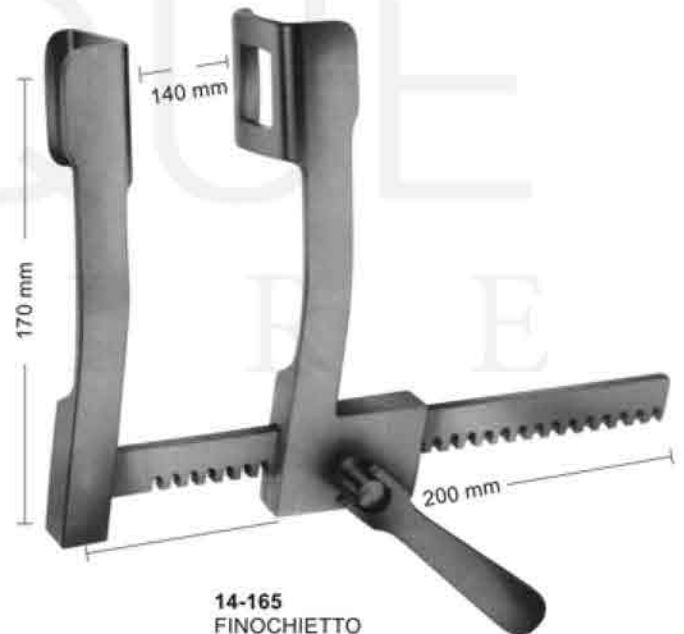
14-162
FINOCHIETTO
Blades
18X21 mm



14-163
HERTZLER
Blades
20X25 mm



14-164
TUFFIER
Blades
43X53 mm



14-165
FINOCHIETTO
Blades
36X45 mm

Rib Spreaders-and Contractors



14-166
SELLORS
Rib spreader-and contractor
with swivel blades
200 mm



14-167
BAILEY
150 mm



14-168
for children

14-169
for adults

14-168 - 169
BAILEY
200 mm



UNIQUE
E M P I R E

SERVING HEALTH CARE WORLD WIDE



*Mohalla Peeple Wala Kotli Behram,
Sialkot - 51310 Pakistan.*



+92-052-4262361



+92 302 6633155



info@uniqueempir.com



<https://www.uniqueempir.com/>



FDA CE